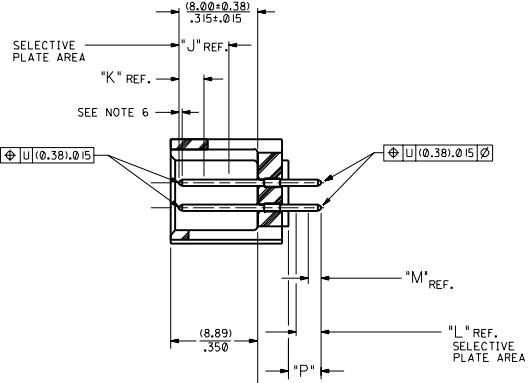
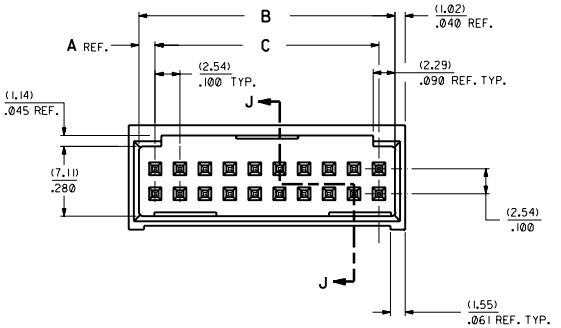
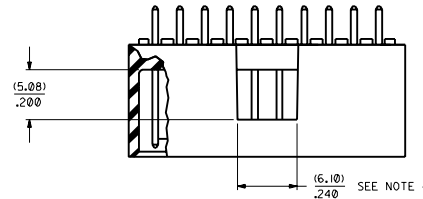
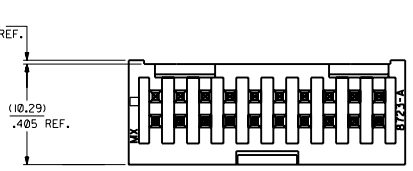
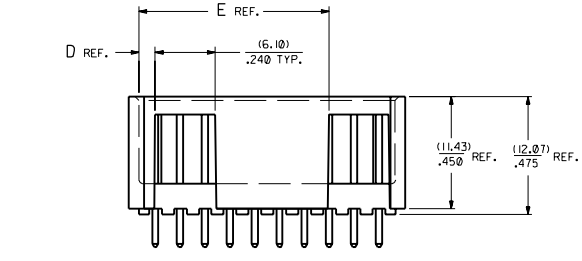


RECOMMENDED P.C. BOARD HOLE LAYOUT



SECTION J-J



NOTES:

- 1- 20 CIRCUIT SIZE SHOWN FOR ILLUSTRATION PURPOSES.
- 2- PIN PUSHOUT FORCE: (17.79 N) 4 LBS.
- 3- PINS MUST MEET SOLDERABILITY SPEC. MIL-STD-202 METHOD 208B.
- 4- WINDOW NOT AVAILABLE ON 6 AND 8 CIRCUIT SIZE.
- 5- FOR CHARTED DIMENSIONS AND ASSEMBLY NOS. NOT SHOWN ON THIS SHEET - SEE SHEET 2.
- 6- ROW TO ROW PIN HEIGHT VARIATION MUST NOT EXCEED (0.13) / .005 IN.
- 7- PRODUCT CONFORMS TO PS-8723.

KCT.	8723				
	DIM. 'A'	DIM. 'B'	DIM. 'C'	DIM. 'D'	DIM. 'E'
06	(1.68) ±.066	(8.43) ±.332	(5.08) ±.200	(1.68) ±.066	
08	(1.68) ±.066	(10.97) ±.432	(7.62) ±.300	(1.68) ±.066	
10	(1.68) ±.066	(13.51) ±.532	(10.16) ±.400	(4.22) ±.166	
12	(1.68) ±.066	(16.05) ±.632	(12.70) ±.500	(4.22) ±.166	
14	(1.68) ±.066	(18.59) ±.732	(15.24) ±.600	(6.76) ±.266	
16	(1.68) ±.066	(21.13) ±.832	(17.78) ±.700	(6.76) ±.266	
18	(1.68) ±.066	(23.67) ±.932	(20.32) ±.800	(9.30) ±.366	
20	(1.68) ±.066	(26.21) ±.1.032	(22.86) ±.900	(1.68) ±.066	(19.46) ±.766
22	(1.68) ±.066	(28.75) ±.1.132	(25.40) ±.1.000	(1.68) ±.066	(22.00) ±.866
24	(1.68) ±.066	(31.29) ±.1.232	(27.94) ±.1.100	(1.68) ±.066	(24.54) ±.966
26	(1.68) ±.066	(33.83) ±.1.332	(30.48) ±.1.200	(1.68) ±.066	(27.08) ±.1.066
28	(1.68) ±.066	(36.37) ±.1.432	(33.02) ±.1.300	(1.68) ±.066	(29.62) ±.1.166
30	(1.68) ±.066	(38.91) ±.1.532	(35.56) ±.1.400	(1.68) ±.066	(32.16) ±.1.266
32	(1.68) ±.066	(41.45) ±.1.632	(38.10) ±.1.500	(1.68) ±.066	(34.70) ±.1.366
34	(1.68) ±.066	(43.99) ±.1.732	(40.64) ±.1.600	(1.68) ±.066	(37.24) ±.1.466
36	(1.68) ±.066	(46.53) ±.1.832	(43.18) ±.1.700	(1.68) ±.066	(39.78) ±.1.566
38	(1.68) ±.066	(49.07) ±.1.932	(45.72) ±.1.800	(1.68) ±.066	(42.32) ±.1.666
40	(1.68) ±.066	(51.61) ±.2.032	(48.26) ±.1.900	(1.68) ±.066	(44.86) ±.1.766
42	(1.68) ±.066	(54.15) ±.2.132	(50.80) ±.2.000	(1.68) ±.066	(47.40) ±.1.866
44	(1.68) ±.066	(56.69) ±.2.232	(53.34) ±.2.100	(1.68) ±.066	(49.94) ±.1.966
46	(1.68) ±.066	(59.23) ±.2.332	(55.88) ±.2.200	(1.68) ±.066	(52.48) ±.2.066
48	(1.68) ±.066	(61.77) ±.2.432	(58.42) ±.2.300	(1.68) ±.066	(55.02) ±.2.166
50	(1.68) ±.066	(64.31) ±.2.532	(60.96) ±.2.400	(1.68) ±.066	(57.56) ±.2.266
52	(1.68) ±.066	(66.85) ±.2.632	(63.50) ±.2.500	(1.68) ±.066	(60.10) ±.2.366
54	(1.68) ±.066	(69.39) ±.2.732	(66.04) ±.2.600	(1.68) ±.066	(62.64) ±.2.466
56	(1.68) ±.066	(71.93) ±.2.832	(68.58) ±.2.700	(1.68) ±.066	(65.18) ±.2.566
58	(1.68) ±.066	(74.47) ±.2.932	(71.12) ±.2.800	(1.68) ±.066	(67.72) ±.2.666
60	(1.68) ±.066	(77.01) ±.3.032	(73.66) ±.2.900	(1.68) ±.066	(70.26) ±.2.766
62	(1.68) ±.066	(79.55) ±.3.132	(76.20) ±.3.000	(1.68) ±.066	(72.80) ±.2.866
64	(1.68) ±.066	(82.09) ±.3.232	(78.74) ±.3.100	(1.68) ±.066	(75.34) ±.2.966
66	(1.68) ±.066	(84.63) ±.3.332	(81.28) ±.3.200	(1.68) ±.066	(77.88) ±.3.066
68	(1.68) ±.066	(87.17) ±.3.432	(83.82) ±.3.300	(1.68) ±.066	(80.42) ±.3.166
70	(1.68) ±.066	(89.71) ±.3.532	(86.36) ±.3.400	(1.68) ±.066	(82.96) ±.3.266
72	(1.68) ±.066	(92.25) ±.3.632	(88.90) ±.3.500	(1.68) ±.066	(85.50) ±.3.366

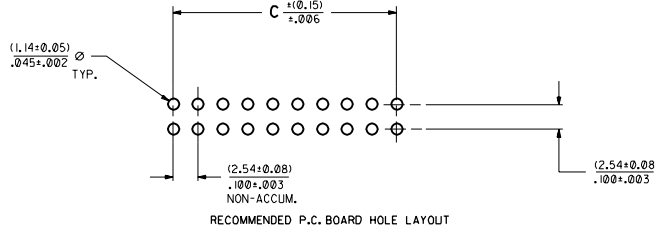
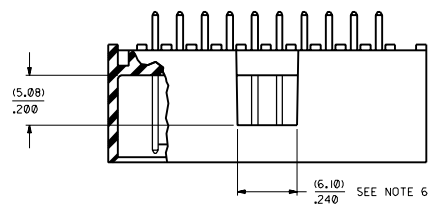
MATERIAL:

SHROUDED WAFER: 38% G.F. POLYESTER, 94V-0; COLOR: BLACK.
PINS: PHOS. BRONZE 510,
SEE SHEET 2 FOR FINISHES.

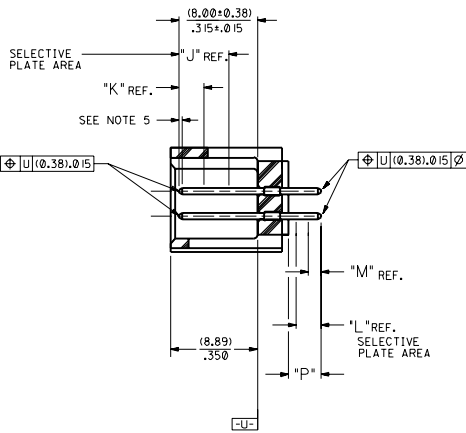
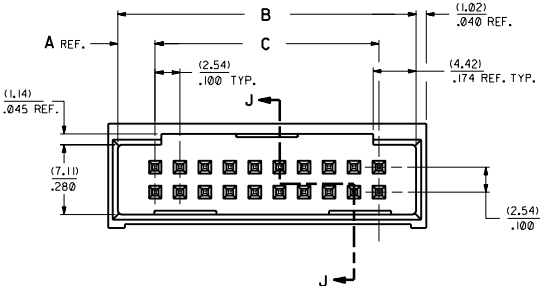
ASSEMBLY STYLE "A" AND "B"

DIMENSIONS SHOWN UNLESS NOTED OTHERWISE IN MILLIMETERS OR INCHES		MFG. SH. REV. LTR. REVISIONS																																																																																					
<table border="1"> <tr><th>REV.</th><th>DESCRIPTION</th></tr> <tr><td>1</td><td>R</td></tr> <tr><td>2</td><td>O</td></tr> <tr><td>3</td><td>R</td></tr> <tr><td>4</td><td>O</td></tr> <tr><td>5</td><td>R</td></tr> <tr><td>6</td><td>O</td></tr> <tr><td>7</td><td>R</td></tr> <tr><td>8</td><td>O</td></tr> <tr><td>9</td><td>R</td></tr> <tr><td>10</td><td>O</td></tr> <tr><td>11</td><td>R</td></tr> <tr><td>12</td><td>O</td></tr> <tr><td>13</td><td>R</td></tr> <tr><td>14</td><td>O</td></tr> <tr><td>15</td><td>R</td></tr> <tr><td>16</td><td>O</td></tr> <tr><td>17</td><td>R</td></tr> <tr><td>18</td><td>O</td></tr> <tr><td>19</td><td>R</td></tr> <tr><td>20</td><td>O</td></tr> </table>		REV.	DESCRIPTION	1	R	2	O	3	R	4	O	5	R	6	O	7	R	8	O	9	R	10	O	11	R	12	O	13	R	14	O	15	R	16	O	17	R	18	O	19	R	20	O	<table border="1"> <tr><th>REV.</th><th>DESCRIPTION</th></tr> <tr><td>1</td><td>R</td></tr> <tr><td>2</td><td>O</td></tr> <tr><td>3</td><td>R</td></tr> <tr><td>4</td><td>O</td></tr> <tr><td>5</td><td>R</td></tr> <tr><td>6</td><td>O</td></tr> <tr><td>7</td><td>R</td></tr> <tr><td>8</td><td>O</td></tr> <tr><td>9</td><td>R</td></tr> <tr><td>10</td><td>O</td></tr> <tr><td>11</td><td>R</td></tr> <tr><td>12</td><td>O</td></tr> <tr><td>13</td><td>R</td></tr> <tr><td>14</td><td>O</td></tr> <tr><td>15</td><td>R</td></tr> <tr><td>16</td><td>O</td></tr> <tr><td>17</td><td>R</td></tr> <tr><td>18</td><td>O</td></tr> <tr><td>19</td><td>R</td></tr> <tr><td>20</td><td>O</td></tr> </table>		REV.	DESCRIPTION	1	R	2	O	3	R	4	O	5	R	6	O	7	R	8	O	9	R	10	O	11	R	12	O	13	R	14	O	15	R	16	O	17	R	18	O	19	R	20	O
REV.	DESCRIPTION																																																																																						
1	R																																																																																						
2	O																																																																																						
3	R																																																																																						
4	O																																																																																						
5	R																																																																																						
6	O																																																																																						
7	R																																																																																						
8	O																																																																																						
9	R																																																																																						
10	O																																																																																						
11	R																																																																																						
12	O																																																																																						
13	R																																																																																						
14	O																																																																																						
15	R																																																																																						
16	O																																																																																						
17	R																																																																																						
18	O																																																																																						
19	R																																																																																						
20	O																																																																																						
REV.	DESCRIPTION																																																																																						
1	R																																																																																						
2	O																																																																																						
3	R																																																																																						
4	O																																																																																						
5	R																																																																																						
6	O																																																																																						
7	R																																																																																						
8	O																																																																																						
9	R																																																																																						
10	O																																																																																						
11	R																																																																																						
12	O																																																																																						
13	R																																																																																						
14	O																																																																																						
15	R																																																																																						
16	O																																																																																						
17	R																																																																																						
18	O																																																																																						
19	R																																																																																						
20	O																																																																																						
TITLE: SALES ASSEMBLY WAFER - STRAIGHT MT. FULLY SHROUDED .100 GRID FOR USE W/ .025 SQ. PINS WITH .066 END WALLS		MFG. SH. REV. LTR. REVISIONS 1 0 2 0 3 0 4 0 5 0 6 0 7 0 8 0 9 0 10 0 11 0 12 0 13 0 14 0 15 0 16 0 17 0 18 0 19 0 20 0																																																																																					
MOLEX INCORPORATED 107 F 92/07/17 SEE CHART SDA-8723-*****		MFG. SH. REV. LTR. REVISIONS 1 0 2 0 3 0 4 0 5 0 6 0 7 0 8 0 9 0 10 0 11 0 12 0 13 0 14 0 15 0 16 0 17 0 18 0 19 0 20 0																																																																																					

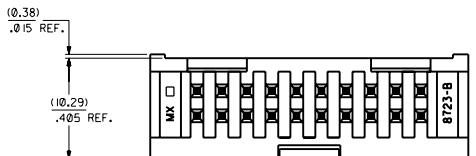
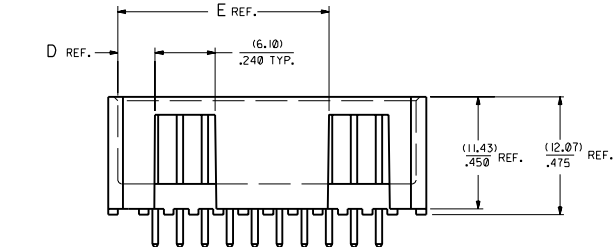
20 19 18 17 16 15 14 13 12 11 10 9 8 7 6 5 4 3 2 1



RECOMMENDED P.C. BOARD HOLE LAYOUT



SECTION J-J



NOTES:

- 1- 20 CIRCUIT SIZE SHOWN FOR ILLUSTRATION PURPOSES.
- 2- PIN PUSHOUT FORCE: (17.79 N) 4 LBS.
- 3- PINS MUST MEET SOLDERABILITY SPEC. MIL-STD-202 METHOD 208B.
- 4- FOR CHARTED DIMENSIONS AND ASSEMBLY N.O.S. NOT SHOWN ON THIS SHEET - SEE SHEET 4.
- 5- ROW TO ROW PIN HEIGHT VARIATION MUST NOT EXCEED (0.13) ±.005 IN.
- 6- WINDOW NOT AVAILABLE ON 6 AND 8 CIRCUIT SIZE.
- 7- PRODUCT CONFORM TO PS-8723.

MATERIAL:

SHROUDED WAFER: 30% G.F. POLYESTER, 94V-0; COLOR: BLACK.
PINS: PHOS. BRONZE 510,
SEE SHEET 4 FOR FINISHES.

ASSEMBLY STYLES "C" AND "D"

CKT.	DIM. 'A'	DIM. 'B'	DIM. 'C'	DIM. 'D'	DIM. 'E'
06	(3.81) ±.150	(12.70) ±.500	(5.08) ±.200	(3.81) ±.150	
08	(3.81) ±.150	(15.24) ±.600	(7.62) ±.300	(3.81) ±.150	
10	(3.81) ±.150	(17.78) ±.700	(10.16) ±.400	(6.35) ±.250	
12	(3.81) ±.150	(20.32) ±.800	(12.70) ±.500	(6.35) ±.250	
14	(3.81) ±.150	(22.86) ±.900	(15.24) ±.600	(8.89) ±.350	
16	(3.81) ±.150	(25.40) ±.1000	(17.78) ±.700	(8.89) ±.350	
18	(3.81) ±.150	(27.94) ±.1100	(20.32) ±.800	(11.43) ±.450	
20	(3.81) ±.150	(30.48) ±.1200	(22.86) ±.900	(3.81) ±.150	(21.59) ±.850
22	(3.81) ±.150	(33.02) ±.1300	(25.40) ±.1000	(3.81) ±.150	(24.13) ±.950
24	(3.81) ±.150	(35.56) ±.1400	(27.94) ±.1100	(3.81) ±.150	(26.67) ±.1050
26	(3.81) ±.150	(38.10) ±.1500	(30.48) ±.1200	(3.81) ±.150	(29.21) ±.1150
28	(3.81) ±.150	(40.64) ±.1600	(33.02) ±.1300	(3.81) ±.150	(31.75) ±.1250
30	(3.81) ±.150	(43.18) ±.1700	(35.56) ±.1400	(3.81) ±.150	(34.29) ±.1350
32	(3.81) ±.150	(45.72) ±.1800	(38.10) ±.1500	(3.81) ±.150	(36.83) ±.1450
34	(3.81) ±.150	(48.26) ±.1900	(40.64) ±.1600	(3.81) ±.150	(39.37) ±.1550
36	(3.81) ±.150	(50.80) ±.2000	(43.18) ±.1700	(3.81) ±.150	(41.91) ±.1650
38	(3.81) ±.150	(53.34) ±.2100	(45.72) ±.1800	(3.81) ±.150	(44.45) ±.1750
40	(3.81) ±.150	(55.88) ±.2200	(48.26) ±.1900	(3.81) ±.150	(46.99) ±.1850
42	(3.81) ±.150	(58.42) ±.2300	(50.80) ±.2000	(3.81) ±.150	(49.53) ±.1950
44	(3.81) ±.150	(60.96) ±.2400	(53.34) ±.2100	(3.81) ±.150	(52.07) ±.2050
46	(3.81) ±.150	(63.50) ±.2500	(55.88) ±.2200	(3.81) ±.150	(54.61) ±.2150
48	(3.81) ±.150	(66.04) ±.2600	(58.42) ±.2300	(3.81) ±.150	(57.15) ±.2250
50	(3.81) ±.150	(68.58) ±.2700	(60.96) ±.2400	(3.81) ±.150	(59.69) ±.2350
52	(3.81) ±.150	(71.12) ±.2800	(63.50) ±.2500	(3.81) ±.150	(62.23) ±.2450
54	(3.81) ±.150	(73.66) ±.2900	(66.04) ±.2600	(3.81) ±.150	(64.77) ±.2550
56	(3.81) ±.150	(76.20) ±.3000	(68.58) ±.2700	(3.81) ±.150	(67.31) ±.2650
58	(3.81) ±.150	(78.74) ±.3100	(71.12) ±.2800	(3.81) ±.150	(69.85) ±.2750
60	(3.81) ±.150	(81.28) ±.3200	(73.66) ±.2900	(3.81) ±.150	(72.39) ±.2850
62	(3.81) ±.150	(83.82) ±.3300	(76.20) ±.3000	(3.81) ±.150	(74.93) ±.2950
64	(3.81) ±.150	(86.36) ±.3400	(78.74) ±.3100	(3.81) ±.150	(77.47) ±.3050
66	(3.81) ±.150	(88.90) ±.3500	(81.28) ±.3200	(3.81) ±.150	(80.01) ±.3150
68	(3.81) ±.150	(91.44) ±.3600	(83.82) ±.3300	(3.81) ±.150	(82.55) ±.3250
70	(3.81) ±.150	(93.98) ±.3700	(86.36) ±.3400	(3.81) ±.150	(85.09) ±.3350
72	(3.81) ±.150	(96.52) ±.3800	(88.90) ±.3500	(3.81) ±.150	(87.63) ±.3450

MFG. SH. REV. LTR. REVISIONS

REVISIONS

REVISE ONLY ON CAD SYSTEM

TITLE SALES ASSEMBLY

WAFER-STRAIGHT MT. FULLY SHROUDED

.100 GRID-FOR USE W/ .025 SQ. PINS

WITH .150 END WALLS

MOLEX INCORPORATED

SEE CHART SDA-8723-*****

SCALE 4 : 1

DATE 92/07/17

DA D

R2	SEE SHEET I
R	SEE SHEET I
P	SEE SHEET I
O	SEE SHEET I
N	SEE SHEET I

NO.	ENGINEERING PART NUMBER A-8723-	RELEASE FOR MANUFACTURE	P REF.	PLATE PER E.S. (88)	CONNECTOR END PLATING			P.C. BOARD END PLATING			PACKAGING INFORMATION PK-70873-	PLATING: (164) .000150 MIN. TIN/LEAD OVER .000050 MIN. NICKEL PLATE. (571) .000015 MIN. GOLD PLATE IN SELECTED AREA AND .000075 MIN. TIN/LEAD IN SELECTED AREA OVER .000050 MIN. NICKEL OVER-ALL. (574) .000030 MIN. GOLD PLATE IN SELECTED AREA AND .000075 MIN. TIN/LEAD IN SELECTED AREA OVER .000050 MIN. NICKEL OVER-ALL. (596) .000050 MIN. GOLD PLATE IN SELECTED AREA AND .000075 MIN. TIN/LEAD IN SELECTED AREA OVER .000050 MIN. NICKEL OVER-ALL.
					TYPE	J LENGTH	K MEAS.	TYPE	L LENGTH	M MEAS.		
06C	06C164 / 72C164	RFM	(3.30) .130	164	TIN/LEAD	(2.54) .100	TIN/LEAD	(1.27) .050	0018			
06D	06D164 / 72D164	RFM	(5.08) .200	164	TIN/LEAD	(2.54) .100	TIN/LEAD	(1.27) .050	0018			
06C571	06C571 / 72C571	RFM	(3.30) .130	571	GOLD	(5.08) .200	(2.54) .100	(1.27) .050	0018			
06D571	06D571 / 72D571	RFM	(5.08) .200	571	GOLD	(5.08) .200	(2.54) .100	(1.27) .050	0018			
06C574	06C574 / 72C574	RFM	(3.30) .130	574	GOLD	(5.08) .200	(2.54) .100	(1.27) .050	0018			
06D574	06D574 / 72D574	RFM	(5.08) .200	574	GOLD	(5.08) .200	(2.54) .100	(1.27) .050	0018			
06C596	06C596 / 72C596	RFM	(3.30) .130	596	GOLD	(5.08) .200	(2.54) .100	(1.27) .050	0018			
06D596	06D596 / 72D596	RFM	(5.08) .200	596	GOLD	(5.08) .200	(2.54) .100	(1.27) .050	0018			
06G164	06G164 / 72G164	RFM	(3.30) .130	164	TIN/LEAD	(2.54) .100	TIN/LEAD	(1.27) .050	0021			
06H574	06H574 / 72H574	RFM	(3.30) .130	574	GOLD	(5.08) .200	(2.54) .100	(1.27) .050	0021			

NO. OF CUTS	164 PLATING		164 PLATING		571 PLATING		571 PLATING		574 PLATING		574 PLATING		596 PLATING		596 PLATING		164 PLATING		574 PLATING	
	EDP NUMBER	ENG NUMBER	EDP NUMBER	ENG NUMBER	EDP NUMBER	ENG NUMBER	EDP NUMBER	ENG NUMBER	EDP NUMBER	ENG NUMBER	EDP NUMBER	ENG NUMBER	EDP NUMBER	ENG NUMBER	EDP NUMBER	ENG NUMBER	EDP NUMBER	ENG NUMBER	EDP NUMBER	ENG NUMBER
06	15-42-6206	A-8723-086164	15-42-6306	A-8723-060164	15-29-6206	A-8723-06C571	15-29-6306	A-8723-06D571	15-41-7206	A-8723-06C574	15-41-7306	A-8723-06D574	A-8723-06C596	A-8723-06D596	15-42-6606	A-8723-06G164	15-42-6706	A-8723-06H574	15-42-6806	A-8723-06I574
08	15-42-6208	A-8723-08C164	15-42-6308	A-8723-08D164	15-29-6208	A-8723-08C571	15-29-6308	A-8723-08D571	15-41-7208	A-8723-08C574	15-41-7308	A-8723-08D574	A-8723-08C596	A-8723-08D596	15-42-6608	A-8723-08G164	15-42-6708	A-8723-08H574	15-42-6808	A-8723-08I574
10	15-42-6210	A-8723-10C164	15-42-6310	A-8723-10D164	15-29-6210	A-8723-10C571	15-29-6310	A-8723-10D571	15-41-7210	A-8723-10C574	15-41-7310	A-8723-10D574	A-8723-10C596	A-8723-10D596	15-42-6610	A-8723-10G164	15-42-6710	A-8723-10H574	15-42-6810	A-8723-10I574
12	15-42-6212	A-8723-12C164	15-42-6312	A-8723-12D164	15-29-6212	A-8723-12C571	15-29-6312	A-8723-12D571	15-41-7212	A-8723-12C574	15-41-7312	A-8723-12D574	A-8723-12C596	A-8723-12D596	15-42-6612	A-8723-12G164	15-42-6712	A-8723-12H574	15-42-6812	A-8723-12I574
14	15-42-6214	A-8723-14C164	15-42-6314	A-8723-14D164	15-29-6214	A-8723-14C571	15-29-6314	A-8723-14D571	15-41-7214	A-8723-14C574	15-41-7314	A-8723-14D574	A-8723-14C596	A-8723-14D596	15-42-6614	A-8723-14G164	15-42-6714	A-8723-14H574	15-42-6814	A-8723-14I574
16	15-42-6216	A-8723-16C164	15-42-6316	A-8723-16D164	15-29-6216	A-8723-16C571	15-29-6316	A-8723-16D571	15-41-7216	A-8723-16C574	15-41-7316	A-8723-16D574	A-8723-16C596	A-8723-16D596	15-42-6616	A-8723-16G164	15-42-6716	A-8723-16H574	15-42-6816	A-8723-16I574
18	15-42-6218	A-8723-18C164	15-42-6318	A-8723-18D164	15-29-6218	A-8723-18C571	15-29-6318	A-8723-18D571	15-41-7218	A-8723-18C574	15-41-7318	A-8723-18D574	A-8723-18C596	A-8723-18D596	15-42-6618	A-8723-18G164	15-42-6718	A-8723-18H574	15-42-6818	A-8723-18I574
20	15-42-6220	A-8723-20C164	15-42-6320	A-8723-20D164	15-29-6220	A-8723-20C571	15-29-6320	A-8723-20D571	15-41-7220	A-8723-20C574	15-41-7320	A-8723-20D574	A-8723-20C596	A-8723-20D596	15-42-6620	A-8723-20G164	15-42-6720	A-8723-20H574	15-42-6820	A-8723-20I574
22	15-42-6222	A-8723-22C164	15-42-6322	A-8723-22D164	15-29-6222	A-8723-22C571	15-29-6322	A-8723-22D571	15-41-7222	A-8723-22C574	15-41-7322	A-8723-22D574	A-8723-22C596	A-8723-22D596	15-42-6622	A-8723-22G164	15-42-6722	A-8723-22H574	15-42-6822	A-8723-22I574
24	15-42-6224	A-8723-24C164	15-42-6324	A-8723-24D164	15-29-6224	A-8723-24C571	15-29-6324	A-8723-24D571	15-41-7224	A-8723-24C574	15-41-7324	A-8723-24D574	A-8723-24C596	A-8723-24D596	15-42-6624	A-8723-24G164	15-42-6724	A-8723-24H574	15-42-6824	A-8723-24I574
26	15-42-6226	A-8723-26C164	15-42-6326	A-8723-26D164	15-29-6226	A-8723-26C571	15-29-6326	A-8723-26D571	15-41-7226	A-8723-26C574	15-41-7326	A-8723-26D574	A-8723-26C596	A-8723-26D596	15-42-6626	A-8723-26G164	15-42-6726	A-8723-26H574	15-42-6826	A-8723-26I574
28	15-42-6228	A-8723-28C164	15-42-6328	A-8723-28D164	15-29-6228	A-8723-28C571	15-29-6328	A-8723-28D571	15-41-7228	A-8723-28C574	15-41-7328	A-8723-28D574	A-8723-28C596	A-8723-28D596	15-42-6628	A-8723-28G164	15-42-6728	A-8723-28H574	15-42-6828	A-8723-28I574
30	15-42-6230	A-8723-30C164	15-42-6330	A-8723-30D164	15-29-6230	A-8723-30C571	15-29-6330	A-8723-30D571	15-41-7230	A-8723-30C574	15-41-7330	A-8723-30D574	A-8723-30C596	A-8723-30D596	15-42-6630	A-8723-30G164	15-42-6730	A-8723-30H574	15-42-6830	A-8723-30I574
32	15-42-6232	A-8723-32C164	15-42-6332	A-8723-32D164	15-29-6232	A-8723-32C571	15-29-6332	A-8723-32D571	15-41-7232	A-8723-32C574	15-41-7332	A-8723-32D574	A-8723-32C596	A-8723-32D596	15-42-6632	A-8723-32G164	15-42-6732	A-8723-32H574	15-42-6832	A-8723-32I574
34	15-42-6234	A-8723-34C164	15-42-6334	A-8723-34D164	15-29-6234	A-8723-34C571	15-29-6334	A-8723-34D571	15-41-7234	A-8723-34C574	15-41-7334	A-8723-34D574	A-8723-34C596	A-8723-34D596	15-42-6634	A-8723-34G164	15-42-6734	A-8723-34H574	15-42-6834	A-8723-34I574
36	15-42-6236	A-8723-36C164	15-42-6336	A-8723-36D164	15-29-6236	A-8723-36C571	15-29-6336	A-8723-36D571	15-41-7236	A-8723-36C574	15-41-7336	A-8723-36D574	A-8723-36C596	A-8723-36D596	15-42-6636	A-8723-36G164	15-42-6736	A-8723-36H574	15-42-6836	A-8723-36I574
38	15-42-6238	A-8723-38C164	15-42-6338	A-8723-38D164	15-29-6238	A-8723-38C571	15-29-6338	A-8723-38D571	15-41-7238	A-8723-38C574	15-41-7338	A-8723-38D574	A-8723-38C596	A-8723-38D596	15-42-6638	A-8723-38G164	15-42-6738	A-8723-38H574	15-42-6838	A-8723-38I574
40	15-42-6240	A-8723-40C164	15-42-6340	A-8723-40D164	15-29-6240	A-8723-40C571	15-29-6340	A-8723-40D571	15-41-7240	A-8723-40C574	15-41-7340	A-8723-40D574	A-8723-40C596	A-8723-40D596	15-42-6640	A-8723-40G164	15-42-6740	A-8723-40H574	15-42-6840	A-8723-40I574
42	15-42-6242	A-8723-42C164	15-42-6342	A-8723-42D164	15-29-6242	A-8723-42C571	15-29-6342	A-8723-42D571	15-41-7242	A-8723-42C574	15-41-7342	A-8723-42D574	A-8723-42C596	A-8723-42D596	15-42-6642	A-8723-42G164	15-42-6742	A-8723-42H574	15-42-6842	A-8723-42I574
44	15-42-6244	A-8723-44C164	15-42-6344	A-8723-44D164	15-29-6244	A-8723-44C571	15-29-6344	A-8723-44D571	15-41-7244	A-8723-44C574	15-41-7344	A-8723-44D574	A-8723-44C596	A-8723-44D596	15-42-6644	A-8723-44G164	15-42-6744	A-8723-44H574	15-42-6844	A-8723-44I574
46	15-42-6246	A-8723-46C164	15-42-6346	A-8723-46D164	15-29-6246	A-8723-46C571	15-29-6346	A-8723-46D571	15-41-7246	A-8723-46C574	15-41-7346	A-8723-46D574	A-8723-46C596	A-8723-46D596	15-42-6646	A-8723-46G164	15-42-6746	A-8723-46H574	15-42-6846	A-8723-46I574
48	15-42-6248	A-8723-48C164	15-42-6348	A-8723-48D164	15-29-6248	A-8723-48C571	15-29-6348	A-8723-48D571	15-41-7248	A-8723-48C574	15-41-7348	A-8723-48D574	A-8723-48C596	A-8723-48D596	15-42-6648	A-8723-48G164	15-42-6748	A-8723-48H574	15-42-6848	A-8723-48I574
50	15-42-6250	A-8723-50C164	15-42-6350	A-8723-50D164	15-29-6250	A-8723-50C571	15-29-6350	A-8723-50D571	15-41-7250	A-8723-50C574	15-41-7350	A-8723-50D574	A-8723-50C596	A-8723-50D596	15-42-6650	A-8723-50G164	15-42-6750	A-8723-50H574	15-42-6850	A-8723-50I574
52	15-42-6252	A-8723-52C164	15-42-6352	A-8723-52D164	15-29-6252	A-8723-52C571	15-29-6352	A-8723-52D571	15-41-7252	A-8723-52C574	15-41-7352	A-8723-52D574	A-8723-52C596	A-8723-52D596	15-42-6652	A-8723-52G164	15-42-6752	A-8723-52H574	15-42-6852	A-8723-52I574
54	15-42-6254	A-8723-54C164	15-42-6354	A-8723-54D164	15-29-6254	A-8723-54C571	15-29-6354	A-8723-54D571	15-41-7254	A-8723-54C574	15-41-7354	A-8723-54D574	A-8723-54C596	A-8723-54D596	15-42-6654	A-8723-54G164	15-42-6754	A-8723-54H574	15-42-6854	A-8723-54I574
56	15-42-6256	A-8723-56C164	15-42-6356	A-8723-56D164	15-29-6256	A-8723-56C571	15-29-6356	A-8723-56D571	15-41-7256	A-8723-56C574	15-41-7356	A-8723-56D574	A-8723-56C596	A-8723-56D596	15-42-6656	A-8723-56G164	15-42-6756	A-8723-56H574	15-42-6856	A-8723-56I574
58	15-42-6258	A-8723-58C164	15-42-6358	A-8723-58D164	15-29-6258	A-8723-58C571	15-29-6358	A-8723-58D571	15-41-7258	A-8723-58C574	15-41-7358	A-8723-58D574	A-8723-58C596	A-8723-58D596	15-42-6658	A-8723-58G164	15-42-6758	A-8723-58H574	15-42-6858	A-8723-58I574
60	15-42-6260	A-8723-60C164	15-42-6360	A-8723-60D164	15-29-6260	A-8723-60C571	15-29-6360	A-8723-60D571	15-41-7260	A-8723-60C574	15-41-7360	A-8723-60D574	A-8723-60C596	A-8723-60D596	15-42-6660	A-8723-60G164	15-42-6760	A-8723-60H574	15-42-6860	A-8723-60I574
62	15-42-6262	A-8723-62C164	15-42-6362	A-8723-62D164	15-29-62															